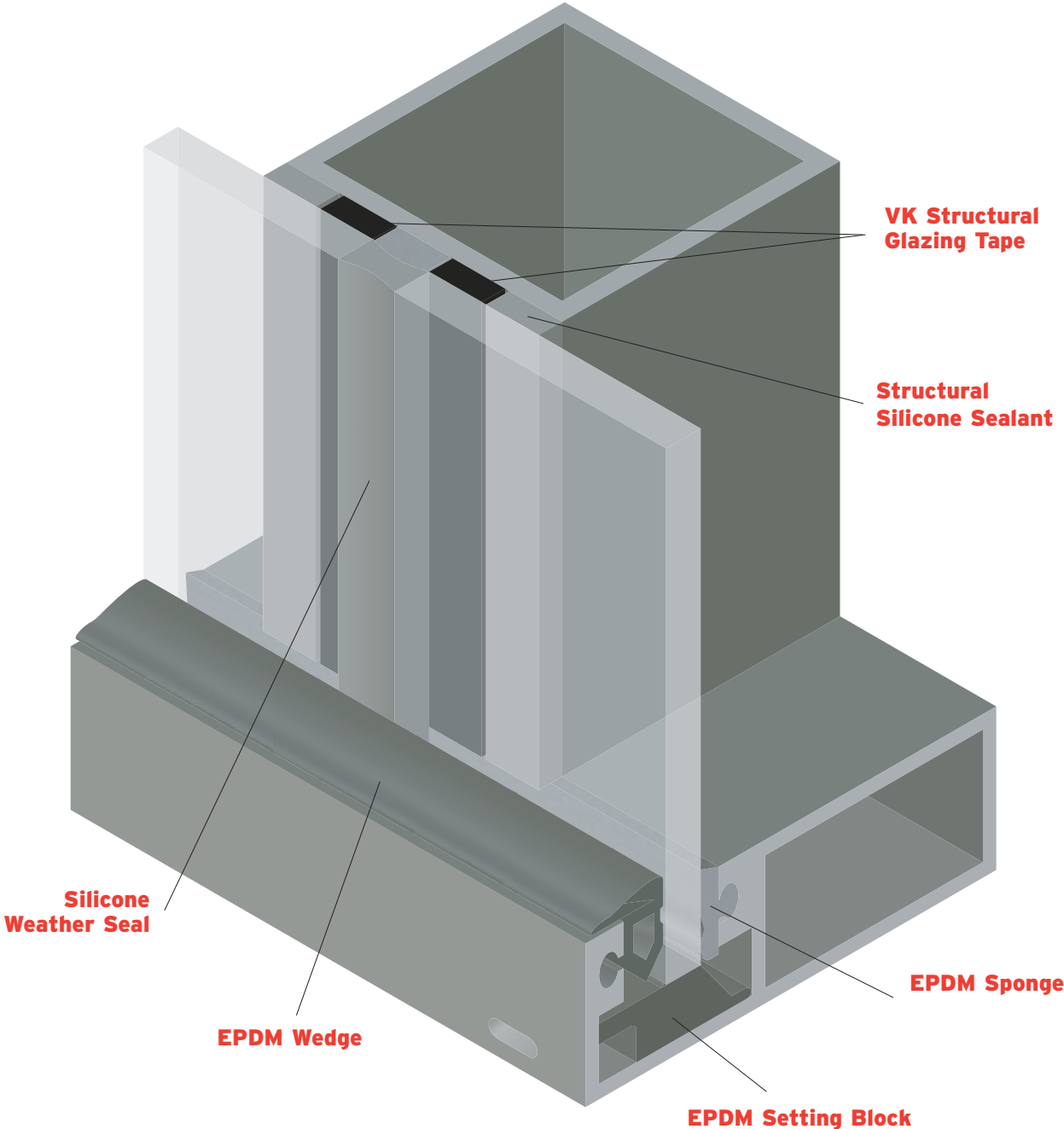


# Typical Two-Sided Structural Glazing



**CapitalTape**

Capital Tape Co., Inc.  
4920 Commerce Parkway  
Unit 11  
Cleveland, Ohio 44128  
T 216.292.3455  
F 216.292.3435

**888.888.TAPE**  
Toll Free Fax 877.893.3337  
sales@capitaltape.com  
www.capitaltape.com

